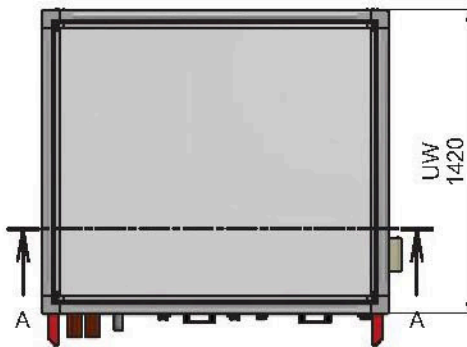


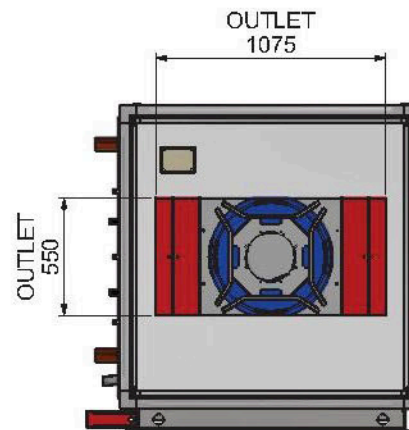
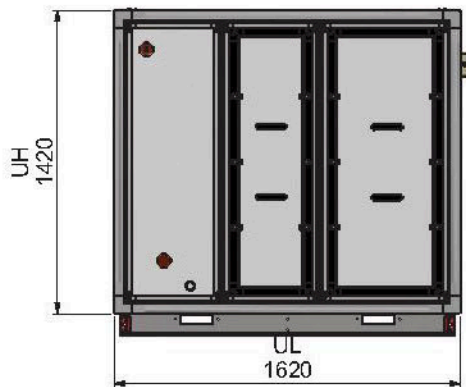
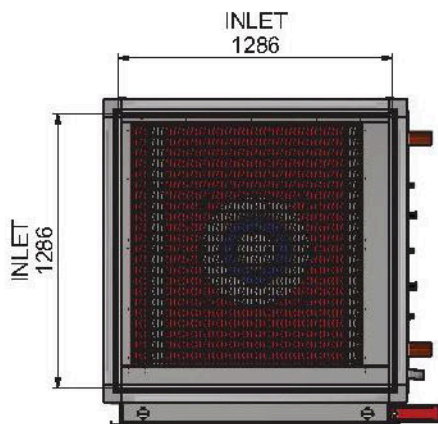
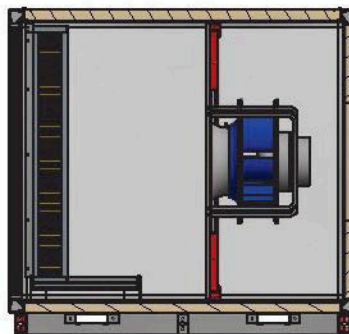
VIEW ISO 1 (1 : 30)



VIEW ISO 2 (1 : 30)



A-A (1 : 25)



MAX S/A (HORIZONTAL) : 910 X 1180MM
 MAX S/A (VERTICAL) : 480 X 1195MM

UNLESS OTHERWISE SPECIFIED
 DIMENSIONS ARE IN MILLIMETRES
 BREAK AND Omit ALL DIMENSIONS
 3rd ANGLE
 PROJECTION
 DO NOT SCALE DRAWING

Rev	By	Date	Description
X00	Toh	06/05/2017	Initial Released

Fantech Pty Ltd. A.C.N. 005 434 024
 45 NESTOR DRIVE MEADOWBROOK QUEENSLAND AUSTRALIA 4133
 TELEPHONE (07) 32 999 888 FACSIMILE (07) 32 999 800



DRAWN: Toh DATE: 6/5/2017
 CHKD: Sean DATE: -
 APPRD: JT DATE: -

General Layout
 ME2B-H404/G3-FCO,
 GR50C(Y73724)x1

DRAWING NO: 868-8010-0404 REV: /00 SCALE: 1 : 25 SIZE: A3